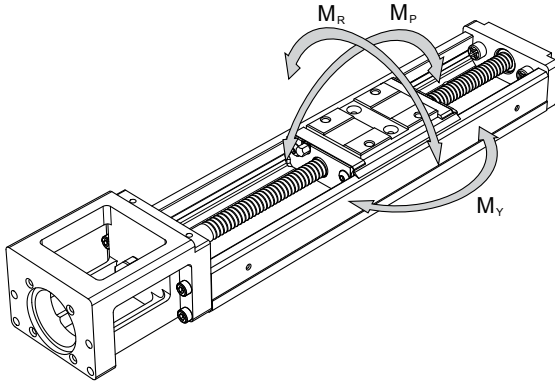


F. 容许静力矩



单位：N·m

型号		容许静力矩											
		M _P				M _Y				M _R			
		A	B	C	D	A	B	C	D	A	B	C	D
KM 26	KM 26 02	107.3	501.8	-	-	107.3	501.8	-	-	278.6	557.3	-	-
	KM 26 06												
KM 30	KM 30 05	156.6	858.5	43.8	326.4	156.6	858.5	43.8	326.4	462.0	924.0	248.8	497.6
	KM 30 10												
KM 33	KM 33 05	156.6	858.5	43.8	326.4	156.6	858.5	43.8	326.4	462.0	924.0	248.8	497.6
	KM 33 10												
KM 45	KM 45 10	575.0	2678.0	120.0	1245.6	575.0	2678.0	120.0	1245.6	1334.2	2668.5	762.4	1524.8
	KM 45 20			-	-			-	-			-	-
KM 46	KM 46 10	575.0	2678.0	120.0	1245.6	575.0	2678.0	120.0	1245.6	1397.9	2795.8	798.8	1597.6
	KM 46 20			-	-			-	-			-	-
	KM 55 20	858.4	4617.2	-	-	858.4	4617.2	-	-	2347.2	4694.4	-	-
	KM 65 25	1299.6	7001.3	-	-	1299.6	7001.3	-	-	3917.9	7835.8	-	-

* B型与D型之容许静力矩为两滑块螺帽紧密相连之数值。